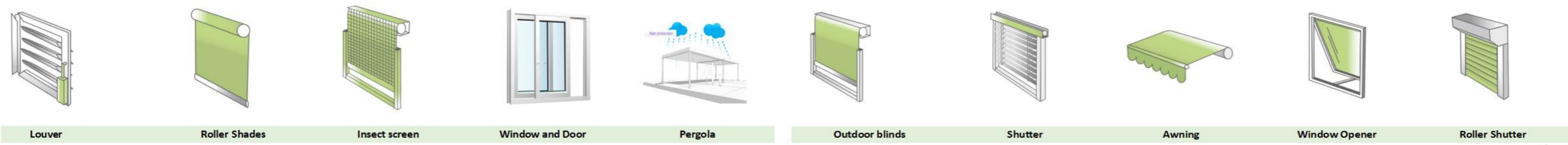


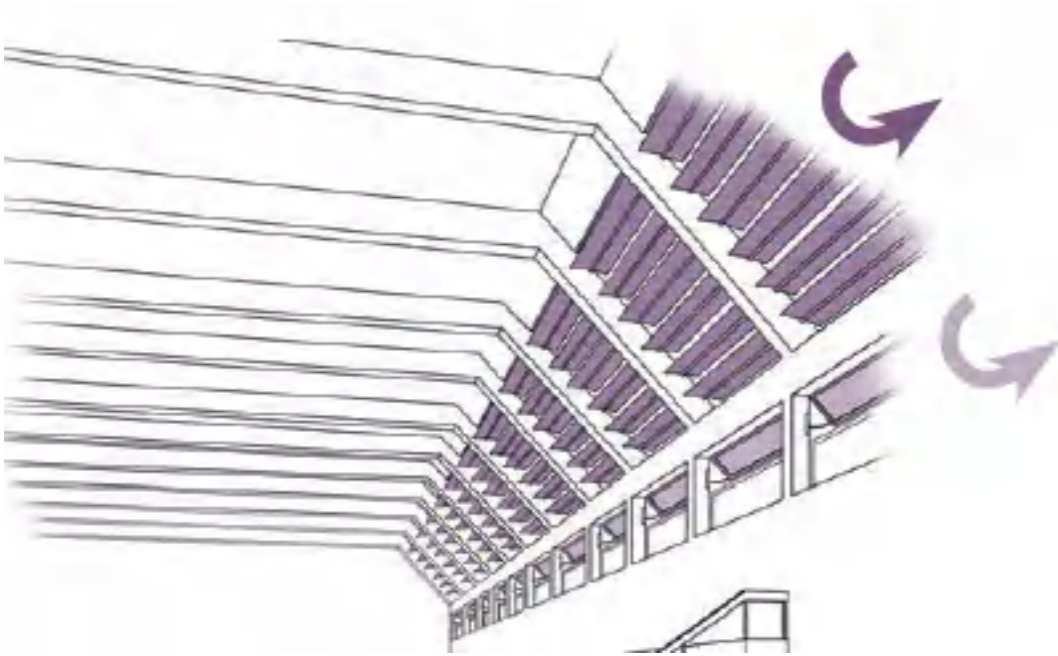


Windowmate 22 Years Supply Trusted Products to Worldwide Clients



GRAND SUN LOUVER ®-6

Professional louver project solution



Why Louver

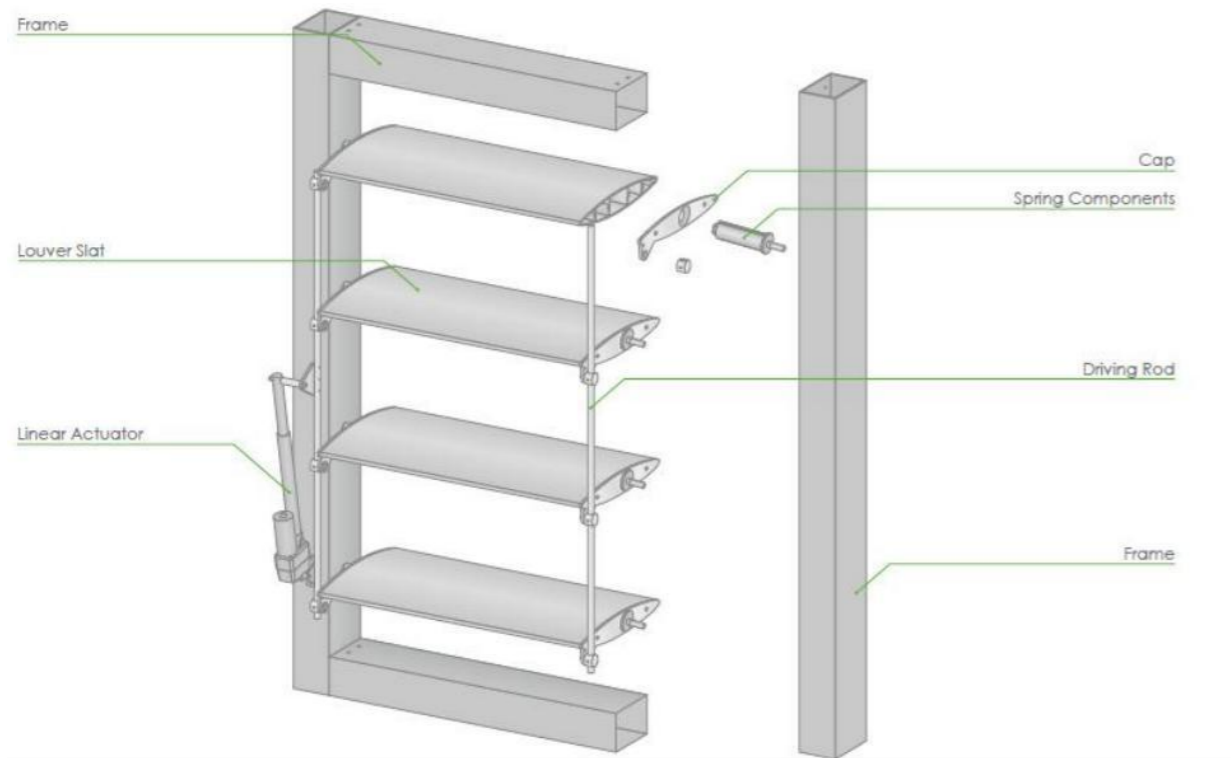
Optimization of the temperature	Natural light management	Air renewal
<p>When it is hot...</p>	<p>Reduce the amount of sunlight...</p>	<p>Ventilate...</p>
<p>When it is cold...</p>	<p>Let in natural light...</p>	<p>for better air quality.</p>

- * Decoration Modern Buildings
- * Sunshine management by Remote or App Smart Buildings
- * Sound / Heat Insulation
- * Storm proof / Fire proof / Ventilation
- * Privacy and Security

Why Windowmate Louver

- * 22 Years Louver service to 6200+ Clients
- * ISO16000 Quality Control ,Somfy & Linak Clients
- * Golden staff service league member to Clients
- * 15-30 Days delivery on Time promise
- * Smart control by Voice / App / Smart Buildings
- * Screen / Sensor / Fix / Manual Option

TECHNICAL SUPPORT



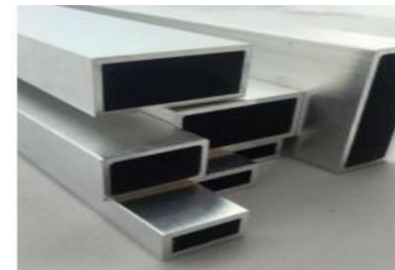
- *6063 T5 Aluminum Blade 20 years service life
- *Powder coating by 
- *Blade size 80-600 mm
- *Shape hollow/Aerobrise/Square/Screen



- *Motor Linak / Somfy
- *Power :220V/110V/24V
- *Protection class:IP 65 Dust/ Sand / Water proof
- *Operating Temperature:-40°C to +85°C
- *Thrust from 600 N - 2500 N in push and pull



- *316 Rust proof Accessory



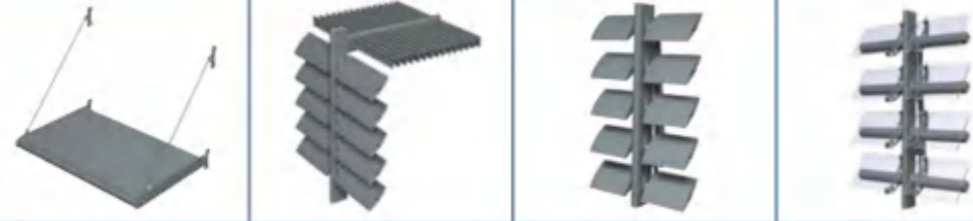
- * 100*50 200*50 Aluminum Frame



- * Switch / Remote / Voice / App / Fire link control



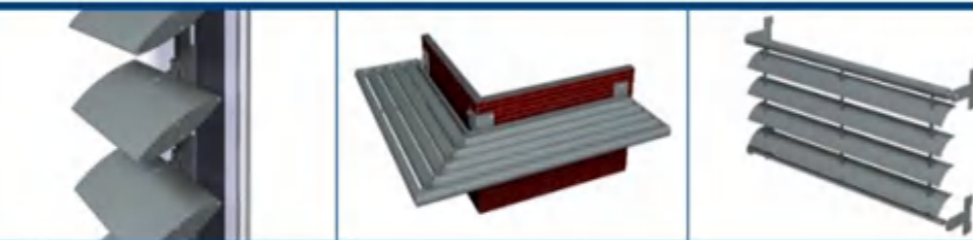
TECHNICAL SUPPORT



TECHNICAL CHARACTERISTICS

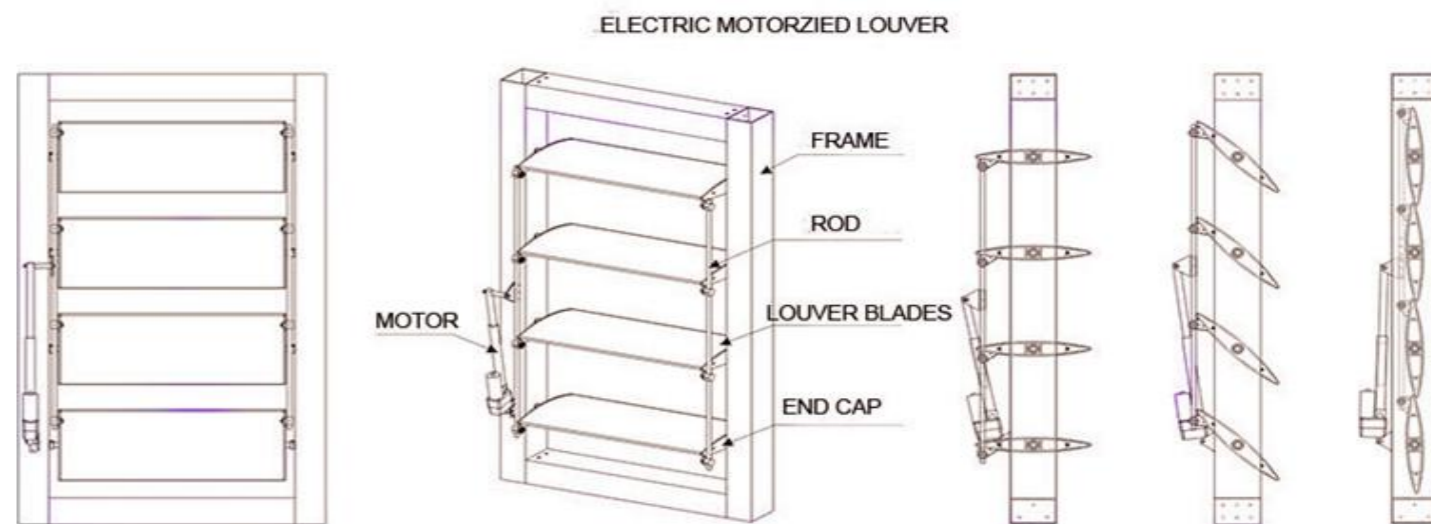
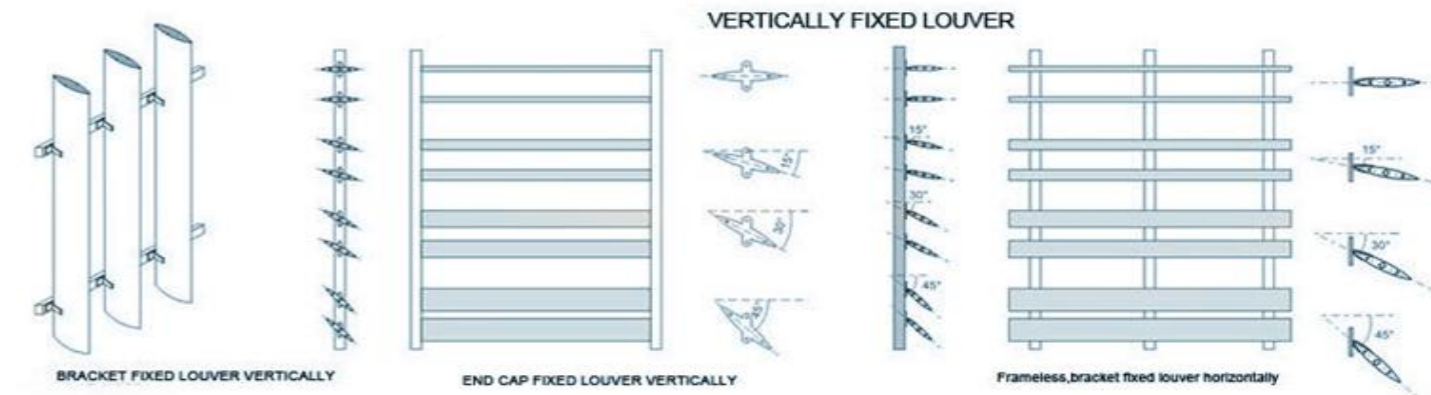
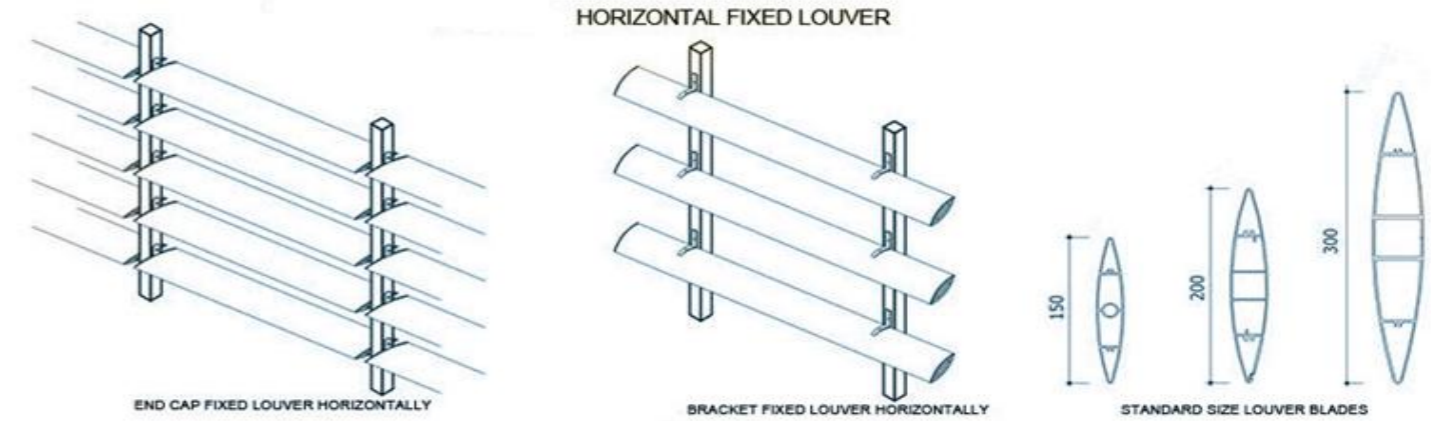
Style variants	PRE-ASSEMBLED FRAME	FIXED LOUVRE	MOVABLE LOUVRE	GLASS LOUVRE
Shape louvres	ellipse	ellipse	ellipse	hardened glass
Size louvres	140 mm / 180 mm	from 120 to 400 mm	from 120 to 400 mm	366 x 10/12/14/17 mm
(Fixed) angle	45°	0°/ 15°/ 30°/ 45°/ 60°/ 75°/ 90°	variable	0°/15°/30°/45°/60°/ 75°/90° and variable
Walkway application	yes	yes	yes	yes
Max. dimensions	width 1000 or 1500 mm	project dependent	project dependent	project dependent
Possible automated	no	no	yes	yes

Louvres with size 500 mm and 700 mm are also available for custom solutions.



TECHNICAL CHARACTERISTICS

Shape louvres	ellipse	z-shaped	curved
Size louvres	200 mm / 250 mm / 300 mm	90 mm wide x 60 mm high	80 mm / 140 mm wide
(Fixed) angle	0°/ 15°/ 30°/ 45°	yes	30°
Walkway application	no	yes	no
Max. dimensions	continuous	3000 x 1000 mm	3000 x 1250 mm
Possible automated	no	no	no



Installation Guide Drawings and Video



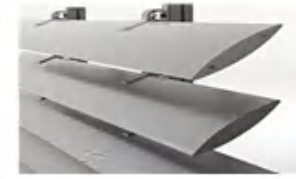
PRODUCT APPLICATIONS



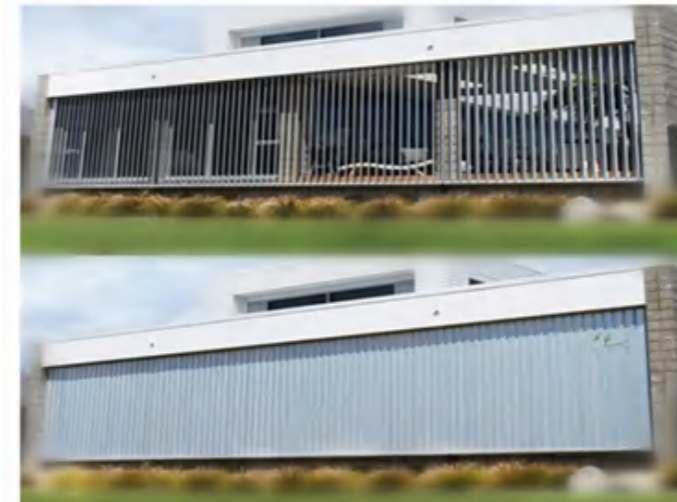
Function	Product Spec
Decoration Fixed or motorized	RAL Colorful blade 80-600 mm blade Easy install Remote/ App/ switch Design 3D for project
Sunshade Heat insulation Privacy	20% Energy saving Sunlight control Easy install Remote/ App/ switch Fast shipping
Sound insulation Security Fence Industry Cooling tower	15Db Sound effect Strong 2mm blade Temperature control
Roof /skylight Pergola	Easy install Smart control Fast shipping



Building decoration



Fix or motorized type with colorful blade



Industry wall

Sound Insulation/ Air louver/smoke ejector



Building sunlight control

0-105° adjust the blade to control sun light



For School / Office / Hospital /Public building



Home use

Sound insulation/Privcay/ Fence/ Security/ Sunshade



PROJECT CASES



Kost-Gebäude *Tübingen*

Date	2006
Country	Germany
Motors	Mingardi Actuators
Controls	animeo IB+ Compact
Architect	Martin Gemmeke

This square, two-storey building is located on the "green field". The façade is equipped on all 4 sides with tiltable metal fins. The slats are perforated so that natural light can penetrate even when they are closed. The users thus always have an unobstructed view to the outside world.



The Blue Fin *London*

Date	2007
Country	United Kingdom
Owner	IPC
Architect	Allies and Morisson
Manufacturer	Hunter Douglas

The blue fin is a 65,000 square meter building that holds 12 floors of office space and houses not only the head office of IPC Media, consumer magazine publisher, but Time Warner, Time Life international et Time Warner Book Group sister companies as well.

The facade displays 2,000 aluminum fins, in blue metallic finish, that change the appearance of the building depending on the angle it is seen from. The fins serve as fixed shading devices at certain hours of the day.



The John E. Jaqua Center *Eugene, Oregon*

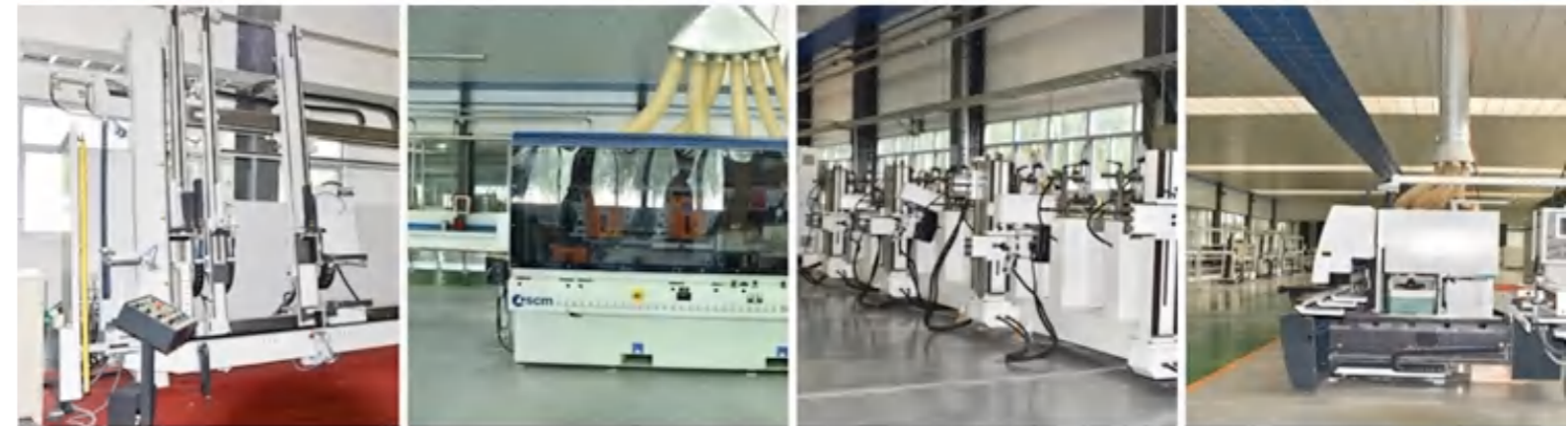
Date	2010
Country	United States
Motors	LT50 ILT2
Controls	Somfy Digital Network (SDN)
Owner	University of Oregon
Architect	ZGF Architects
Installer	Draper

Located on the University of Oregon campus, this newly built academic facility for student athletes is a three-storey 40,000 square foot building full of natural light.

What does Clients Saying

Who We are

Supply louver solution more than 22 Years



* Golden Home - Developer

Cooperate from 2015

"Good solution supplier, they design what we dream and make it come true"



* Saeed - Education company

Cooperate from 2019

"Our School use the louver from WINDOWMATE, now the building is the modern most in here"

* D Alex In Thailand -- Builder

Cooperate from 2008

"Windowmate is trusted supplier, we use their louver and door product more than 10 years, Good quality, good package and fast delivery, Grow up with us together"



* Deyak -- Window factory

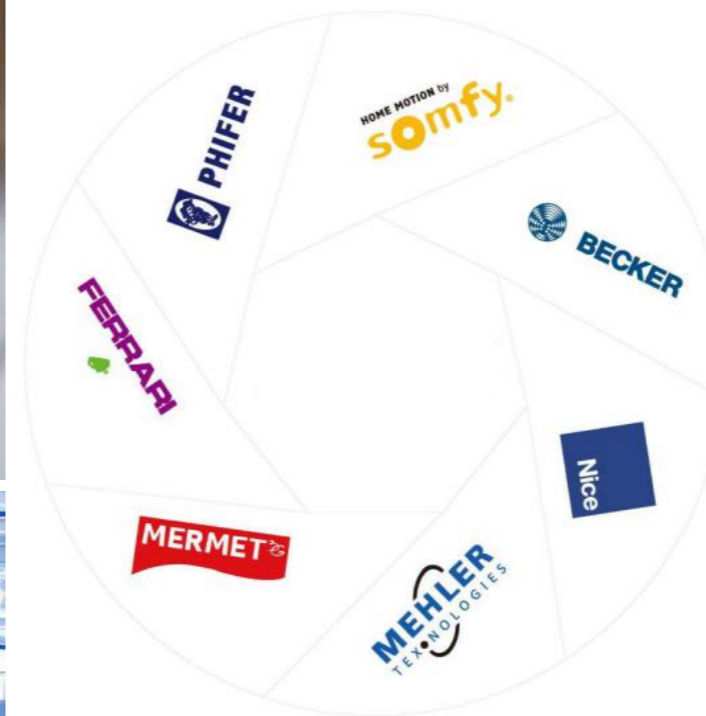
Cooperate from 2018

"When our project need louvers, we mail to Windowmate, delivery on time and good product"

PRODUCT CERTIFICATION



Partners



Contact

Contact: 8613821398107 jiecao2@vip.163.com

